



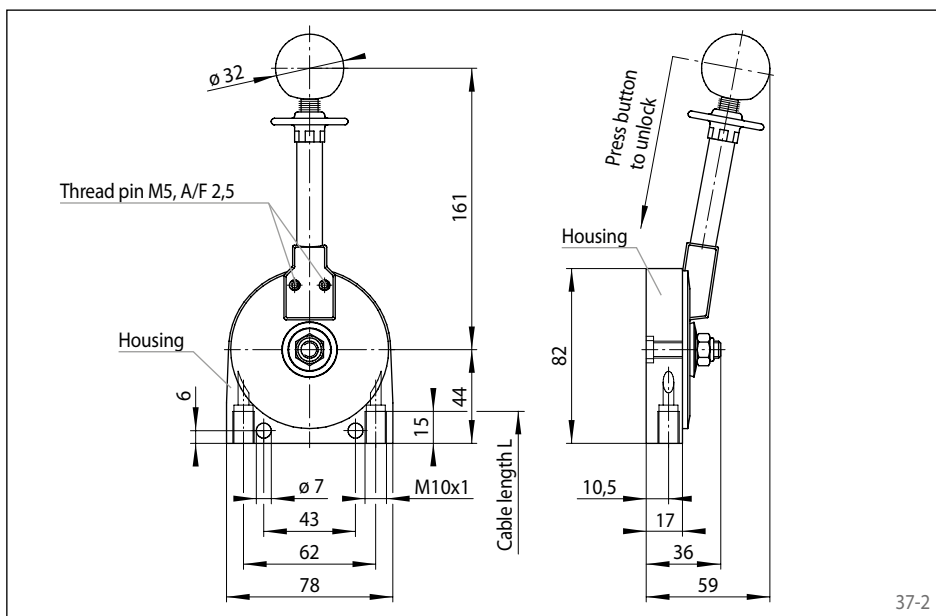
37-1

Features

- Sensitive regulation
- With locking and friction (adjustable)
- Travel 80 mm
- For push/pull cables 275-V and pull only cable 278-V

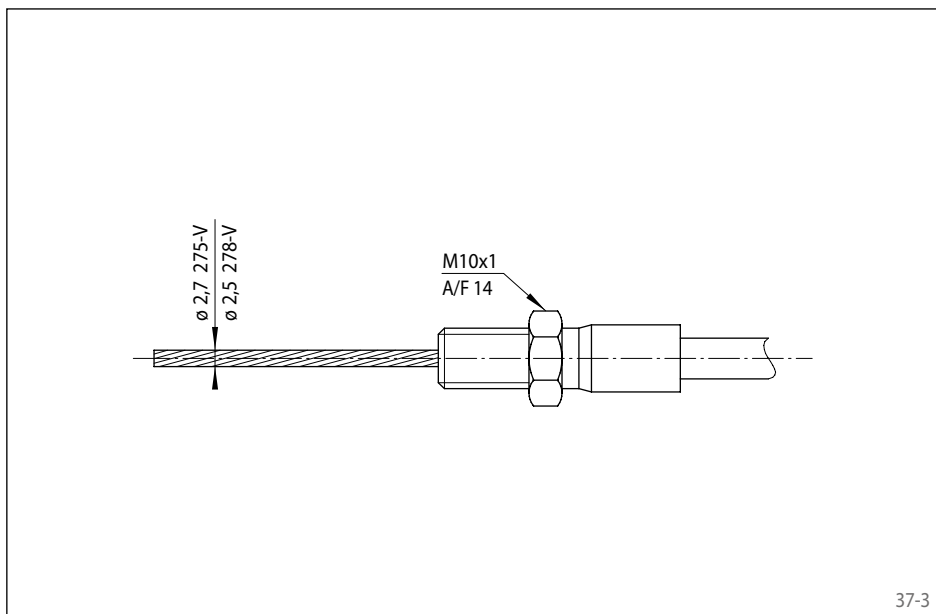
Maximum loads on the cable

Cable size 275/278-V:	500 N pull
Cable size 275-V:	50 N push
Maximum stopping force:	250 N
Travel at the cable:	80 mm
Lever transmission:	1:4,8
Lever swiveling angle:	152°
Art.-No.:	4561-003023



37-2

For more information on the design of the cable ends, see page 11 to 13, as well as page 39.



37-3

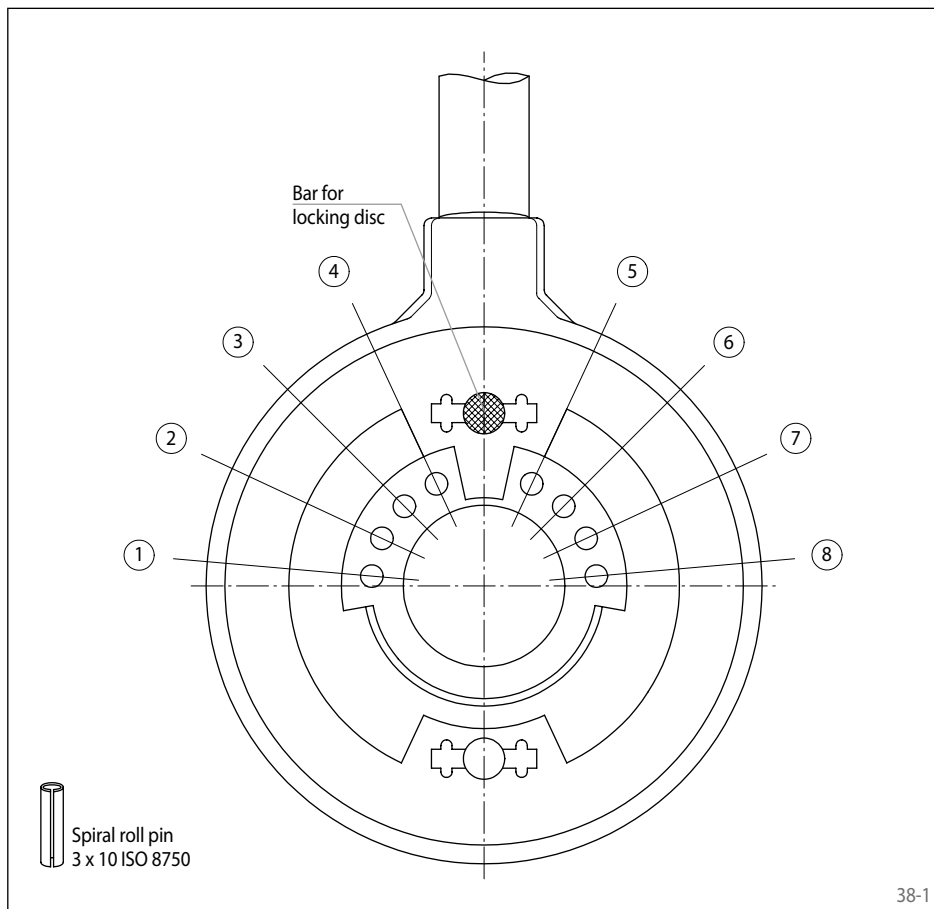
Cable end MGS for connection to friction control FH 22.3

Accessories for friction control FH 22.x

Locking

- Locking for FH 22.3 with a bar and locking disc
- Travel limiting using clamping pin(s)
- Adjustable friction

For more information on the design of the cable ends, see page 11 to 13.



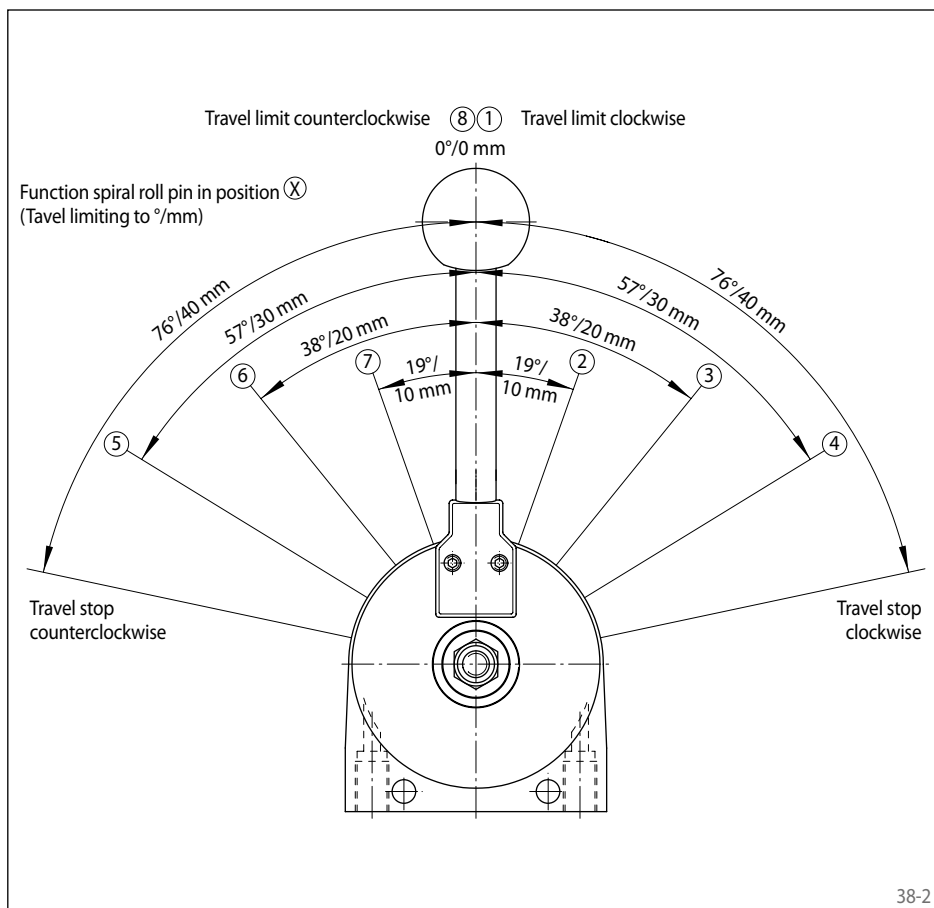
Travel limiting

From center position lever end stops after $78^\circ = 40 \text{ mm}$ cable travel clockwise and counterclockwise.

The lever end stops can be reduced individually in 10 mm steps with spiral roll pins.

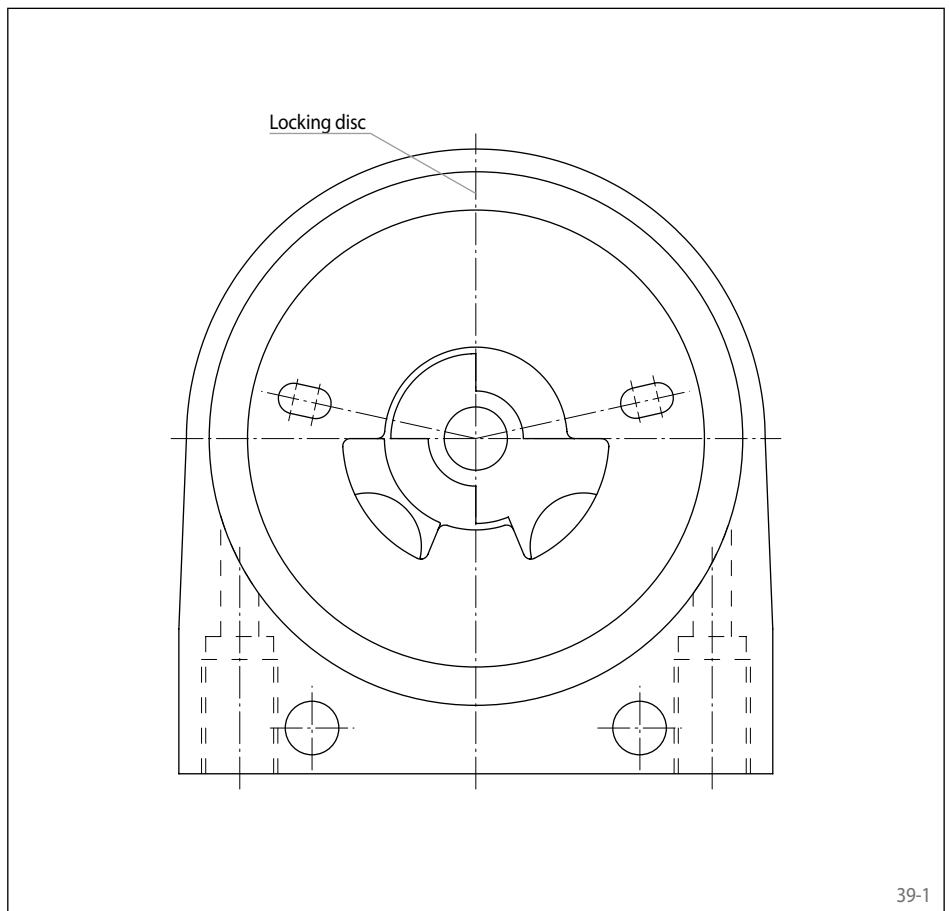
Example:

Pin position	Travel	Direction
④ + ⑤	+/-30 mm	symmetrical
③ + ⑥	+/-20 mm	symmetrical
② + ⑦	+/-10 mm	symmetrical
⑧	+40 mm	clockwise
①	-40 mm	counterclockwise



Locking

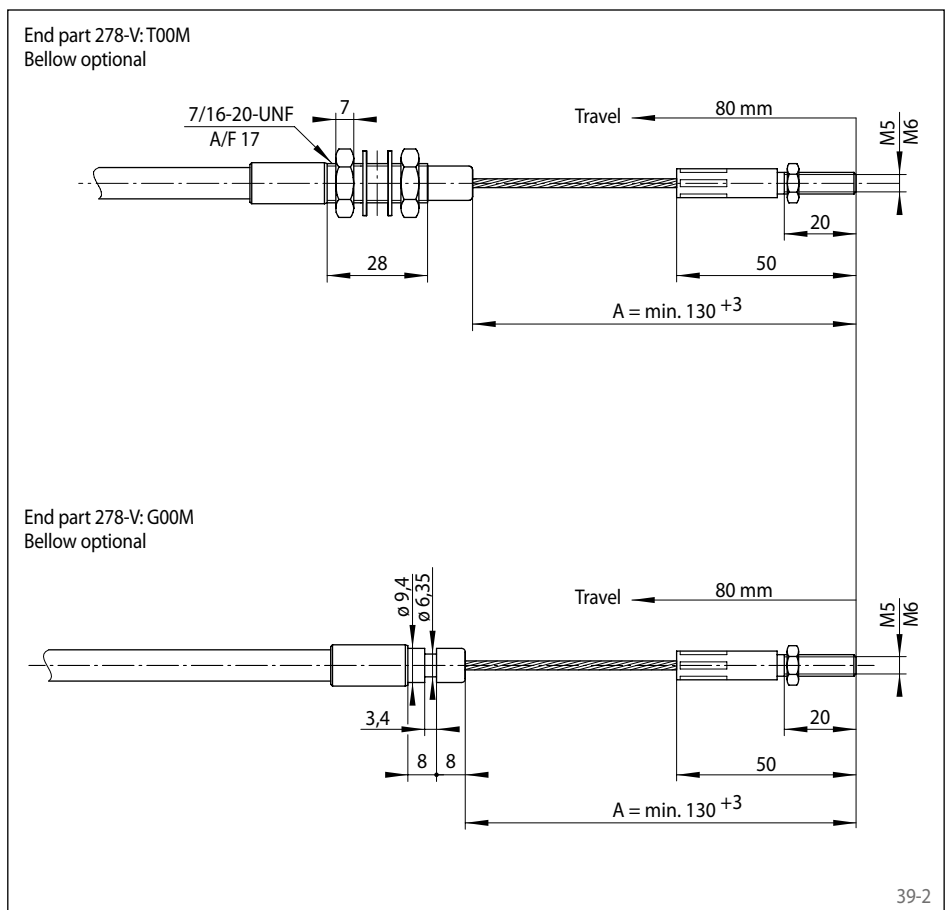
- Clear locking of the hand lever in the locking position of the disc
- Standard locking position in end positions $\pm 76^\circ$
- Other locking positions up on request



39-1

Open ends

- Pulling strands made from stainless steel
- Sealing available with optional bellow



39-2